



## Concept

EloStar flexID is the only VdS-/ECBS-approved RFID lock system for security containers like gun or narcotic safes, safes or entry and access doors. Access takes place contactless via RFID card or RFID wristband. The card is available with integrated finger print sensor, if desired.

Adding users or cards is possible without keypad or PC software. Configuration takes place easy using the included RFID master medium. Up to 99 additional cards or wristbands (combinations are also possible) can be added. All processes will be logged completely. Alternatively, the system can be configured using the PC software EloComm.

## INSYS locks

INSYS MICROELECTRONICS GmbH

Hermann-Köhl-Str. 22  
D-93049 Regensburg  
Phone: +49 941 58692-0  
Fax +49 941 58692-45  
info@insys-locks.de  
www.insys-locks.com

## EloStar flexID

RFID Locking System for Safes and Gun Safes

- Only VdS-/ECBS-approved RFID lock system
- Opening via RFID card/RFID wristband
- RFID card with integrated finger print detection optional
- Easy operation via one key
- Complete logging of all openings and other events

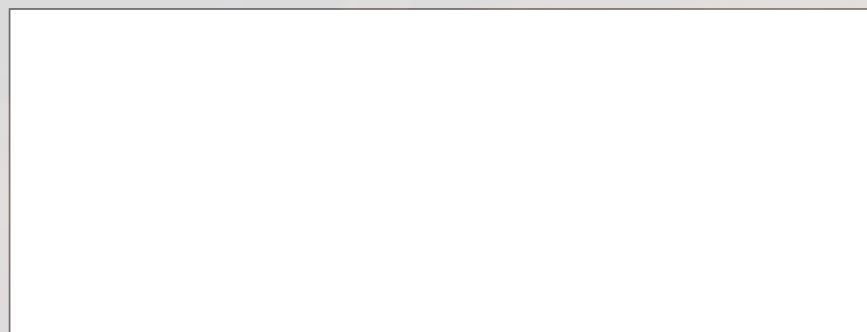


*Secure opening without PIN*

## Highlights

- High-quality motor lock and compact RFID reader unit
- Easy, quick opening using RFID cards/wristbands
- RFID card optional with integrated finger print detection
- Easy teaching of additional users using one key
- Extension up to 99 RFID cards/wristbands possible
- Manipulation blocking, automatic closure and emergency power supply
- Time delay, dual code and external release/blocking

Your authorised INSYS locks distributor:



# Opening variant 1

## RFID card or RFID wristband

# Opening variant 2

## Biometric RFID card (with finger print)



1 The lock system will be activated by a short touch.

2 RFID card or wristband are held close to the lock system. If an access authorisation exists, the safe will open.

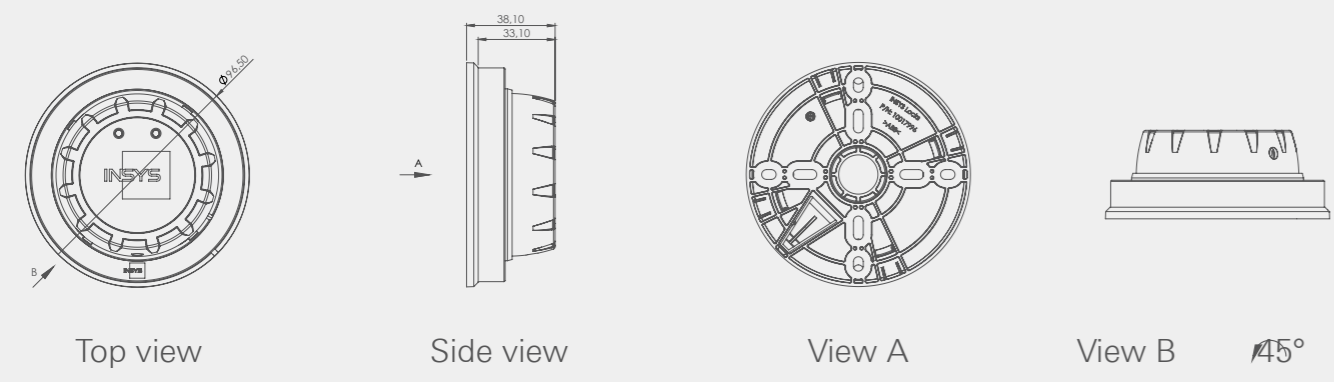


1 The biometric RFID card will be activated by placing a finger on the finger print sensor and the finger print will then be scanned. If this matches the stored finger print, the green LED lights and the RFID card will be activated (for a limited time).

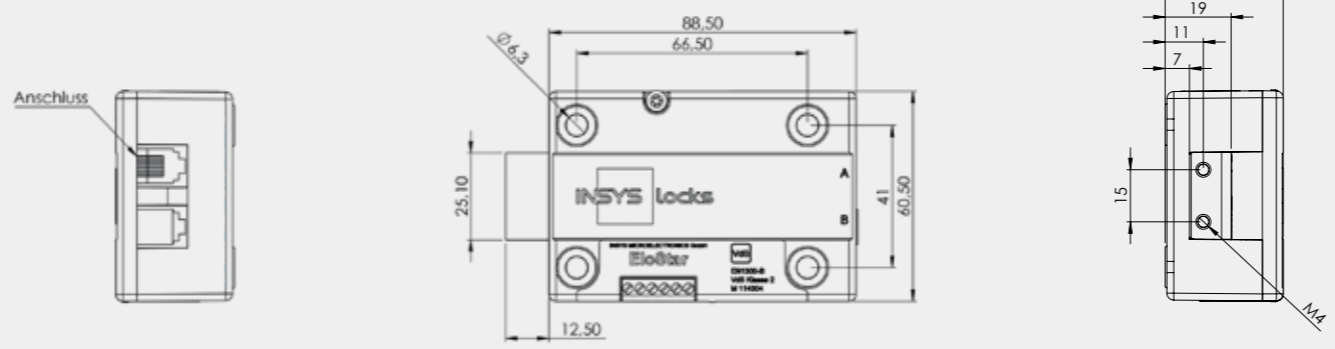
2 The lock system will be activated by a short touch.

3 The biometric RFID card will be held close to the lock system. If an access authorisation exists, the safe will open.

### Technical Installation



### Lock INSYS Lock 300



Components		
Reader unit made of plastic or with metal ring ("Plus" variant)		RFID reader MIFARE® DESFire, 13.56 MHz with integrated touch sensor key, model with and without metal ring and adapter plate, for reading RFID cards
Lock bolt		INSYS Lock 300 with spring borne bolt software variants simplex and multi
RFID card (optional with finger print)		RFID MIFARE® DESFire card or biometric RFID MIFARE® DESFire card, combination of both cards possible
RFID wristband		RFID MIFARE® DESFire wristband as alternative opening option instead of RFID cards, combination of wristbands/RFID cards possible
Power supply unit (accessory)		12 V DC – plug-in unit for system power supply
Configuration software EloComm		Software for setting all configuration parameters and reading the protocol

Functions	simplex	multi
Motor lock	■	■
Reader unit RFID – HF (13.56 MHz)	■	■
Master function (all opening mediums freely selectable)	1	1
User function (all opening mediums freely selectable)	1	99
Logging	1024	1024
Configuration via PC software (EloComm)	□	□
Manipulation blockout	■	■
Automatic locking (after 10 seconds)	□	□
Time delay		□
Dual code		□
Definable quick opening card		□
External release/blocking		□
Emergency power supply	□	□

■ included by default/active □ optional configurable